

Chair system entirely padded and upholstered in all the Quinti colors Swatch card and completely hand-made in Italy.



Fixed tub chair of Quinti collection entirely made of moulded polyurethane foam.

Available in two versions:

- folding open sides
- open sides and writing table

All joints are made of die cast aluminium.

The backrest is entirely made of foamed metal, and in the upper part some elastics are applied which make the posture comfortable and cosy.

The chair is composed of 2 sides, backrest and seat, easily releasable. The chair stands on feet even when it is closed.

The chair is equipped with feet, the castors/feet/feet with suckers version is provided.

### **Seat & backrest**

Seat and backrest are entirely made of moulded foam.

Also available the upholstered soft version with memory foam sit.



### **Optional**

1520G Metal-plate for alignment.

1520GT Metal-plate for alignment with writing table.

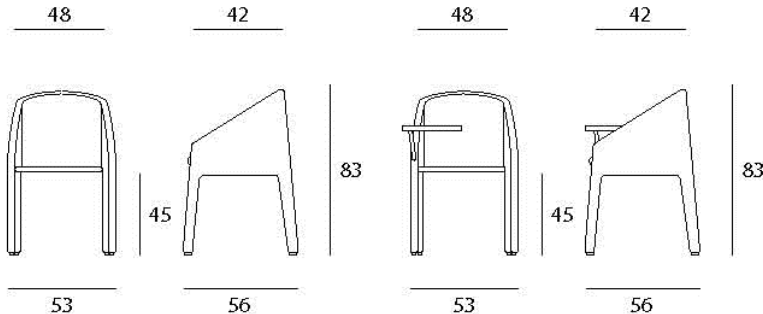
15205C Trolley for chairs 5PZ.

1520C/C Fixed feet with suckers..



### **DIMENSIONS**

## HYWAY Pozzetto Open Orlandini Design



### COATINGS

---

#### BIO-EXPO

##### CATEGORY 2

300 gr/mt2  
100% Propitex FR batteriosattico  
Classe 1UNI EN ISO 354:2003  
100.000 +/- 10% cicli Maltindale

#### EXTREME

##### CATEGORIA 2

350 gr/mtl  
100% Xtreme FR  
Classe , EN 1021-1/2  
100.000 +/- 10% cicli Maltindale

#### LASER

##### CATEGORY 2

560 gr/mtl  
100% Poliestere FR  
Classe 1  
80.000+/- 10% cicli Maltindale

#### ECOPELLE

##### CATEGORY 2

630 gr/mt2  
83% PVC, 17% Syntetic  
ISO 379-DIN75200-CSERF4/83 10%  
cicli Maltindale

#### ERA

##### CATEGORY 3

448 gr/mtl  
100% Trevira CS  
Classe 1UNI EN ISO 354:2003  
100.000 +/- 10% cicli Maltindale

#### LASER PLUS

##### CATEGORY 3

630 gr/mtl  
100% Poliestere FR Trevira  
Classe1 , 4.000 +/- cicli Maltindale

#### ECOPELLE SOUL

##### CATEGORY 3

760 gr/mt2  
Superficie 100% POLIURETANO,  
Base Poliestere 85%,17% Cotone  
EN1021-1/BS5852 PART 1  
>100.000 EN ISO 5470-2

#### MELANGE

##### CATEGORY 3

390 g/lin.m  
100% Trevira CS  
Classe 1  
80.000 +/- 10% cicli Maltindale

#### JET

##### CATEGORY 3

365+/- 5% g/lin.m  
100% Poliestere FR  
Classe 1  
80.000+/- 10% cicli Maltindale

#### ECOPELLE SISTEMA PRO

##### CATEGORIA 3

710 gr/mt2  
Superficie 93% PVC  
Base Poliestere 28%  
CLASSE1  
100.000 CICLI

#### LANA

##### CATEGORY 5

500 gr/mt2  
75% Lana, 25% poliammide  
Classe 1  
100.000 cicli Maltindale

#### PELLE

##### CATEGORY 5/6

620 g/lin.m  
100% Pelle bovina  
Classe 1, EN 1021-1/2

#### PIED POULE

##### CATEGORY 6

550 g/lin.m  
66% cotone, 34% Poliestere  
35.000 % cicli Maltindale

#### EUROPOST 2

##### CATEGORY 6

710 g/lin.m  
63% PU, 16% CO, 21% PL  
Ini1975 CLASSE1emme,UNI9175/FA  
50.000% cicli Maltindale

#### MERIT

##### CATEGORY 7

500g/lin.m  
76% Poliestere Recycled  
24% Poliestere  
EN 1021-1/2  
85.000 % cicli Maltindale

#### PREMIUM /ELEGANCE

##### CATEGORY 7

100% Pelle bovina Primo fiore  
Spessore 1,2/1,4 mm  
EN1021-1/2

#### STEELCUT TRIO

##### CATEGORY 7

770 g/lin.m  
90% New woolworsted, 10% Nylon  
Classe 1, EN 1021-1/2  
100.000 % cicli Maltindale

#### REMIX

##### CATEGORY 7

415 g/lin.m  
90% New woolworsted, 10% Nylon  
Classe 1, EN 1021-1/2  
100.000 % cicli Maltindale

#### VELLUTO DECONTRACTE'

##### CATEGORY 7

590 g/lin.m  
19% CO, 61% PC,10% PL, 10%VI  
40.000 % cicli Maltindale

#### VELLUTO

##### CATEGORY 8

600 g/lin.m  
100.000 % PL Flameretardant

#### PELLE SOFT

##### CATEGORY 8

100% Pelle bovina SPESSORE1,8-2 mm  
Primo fiore CONCIA ALL'ANILINA  
EN1021-1/2

### USAGE AND CARE

---

For a proper maintenance of the products and to maintain unchanged the characteristics of the materials, we recommend to follow some very simple care instructions.

#### FABRICS

Cleaning: check the dedicated selection written on the color Swatch card. Usage: it is recommended to pay attention to the fabrics as they can be easily cut or ripped.

#### LEATHERS

Cleaning: clean with a wet white cloth with water. We recommend to use high quality products for the cleaning of the leather and to follow carefully the instructions of the manufacturer. In doubt, try out the product on a hidden part and wait at least 24 hours for the occurrence of any problems. Usage: remember that the leather is a delicate material therefore it is recommended to pay particular attention while using.

#### WOODS

Cleaning: clean with a soft and wet cloth with warm water. We always recommend to dry immediately after the cleaning process. All liquids or other residue must be removed in order to avoid the absorption. Usage: wooden surfaces, being a natural material, could be affected by an alteration of the color shade during time and use. We also remind that wooden surfaces cannot bear with high temperatures if placed directly on the wooden top.

#### METALS

Cleaning: both steel or aluminium surfaces, and painted ones, must be cleaned with a soft and wet cloth with hot water. For the most persistent stains, a small amount of liquid soap diluted in water may be used. We always recommend to dry immediately with a soft cloth or a leather one after the cleaning process. Never using cleaning products for steel, chlorine, bleach or other strong detergents. It is not recommended to use abrasive creams, score pads and abrasive sponges that can scratch the metal surfaces. Usage: pay attention to the stains of food such as coffee, coke, fruit juices that can leave indelible marks on the surface.