

GILDA

Quinti®

GILDA stackable armchairs collection great for outdoor and indoor spaces

1



2



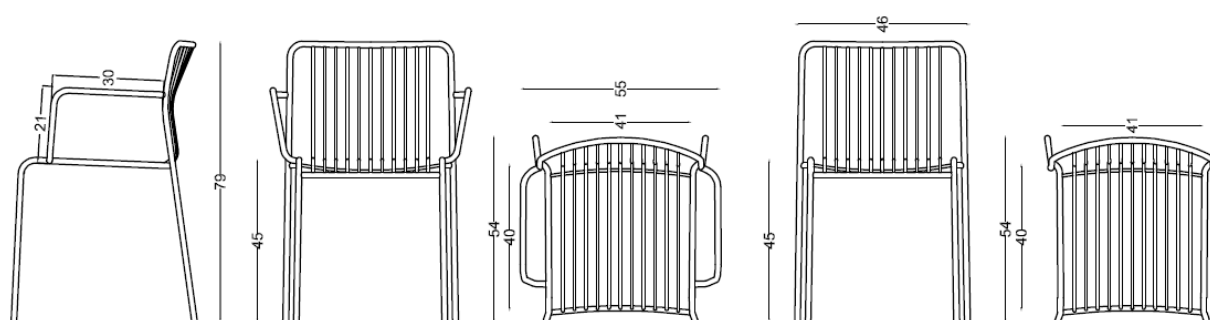
- 1 . Armchair with 4 legs frame without armrests
2 . Armchair with 4 legs frame with armrests

STRUCTURE

4 legs frame with or without integrated armrests made of metal mpainted tube diam 16 mm.

Seat and backrest are made with curved rod diam 6 mm and 30 mm separated from each other.

DIMENSIONS



ACCESSORIES

To enhance the comfort of the seat a padded and upholstered cushion can be applied and in all colors from the Quinti Colors Swatch Card.

UPHOLSTERIES

BIKOS

CATEGORY 2

480 gr/mtl
100% Trevira CS
Classe 1 ,EN1021/1-2
100.000 +/- 10% cicli Maltindale

BIO-EXPO

CATEGORY 2

300 gr/mt2
100% Propitex FR batteriosattico
Classe 1UNI EN ISO 354:2003
100.000 +/- 10% cicli Maltindale

EXTREME

CATEGORY 2

350 gr/mtl
100% Xtreme FR
Classe , EN 1021-1/2
100.000 +/- 10% cicli Maltindale

LASER

CATEGORY 2

560 gr/mtl
100% Poliestere FR
Classe 1
80.000+/- 10% cicli Maltindale

ECOPELLE

CATEGORY 2

630 gr/mt2
83% PVC, 17% Syntetic
ISO 379-DIN75200-CSERF4/83 10%
cicli Maltindale

ERA

CATEGORY 3

448 gr/mtl
100% Trevira CS
Classe 1UNI EN ISO 354:2003
100.000 +/- 10% cicli Maltindale

TRAMA

CATEGORY 3

735 gr/mtl
100% Trevira CS
Classe1 , EN 1021-1/2
100.000 +/- 10% cicli Maltindale

JET

CATEGORY 3

365+/- 5% g/lin.m
100% Poliestere FR
Classe 1
80.000+/- 10% cicli Maltindale

MELANGE

CATEGORY 3

390 g/lin.m
100% Trevira CS
Classe 1
80.000 +/- 10% cicli Maltindale

LANA

CATEGORY 5

500 gr/mt2
75% Lana, 25% poliammide
Classe 1
100.000 cicli Maltindale

PELLE

CATEGORY 5/6

620 g/lin.m
100% Pelle bovina
Classe 1, EN 1021-1/2

EUROPOST 2

CATEGORY 6

710 g/lin.m
63% PU, 16% CO, 21% PL
Ini1975 CLASSE1emme,UNI9175/FA
50.000% cicli Maltindale

PREMIUM ELEGANCE

CATEGORY 7

100% Pelle bovina Primo fiore
Spessore 1,2/1,4 mm
EN1021-1/2

SOFT

CATEGORY 8

100% Pelle bovina
Primo fiore CONCIA ALL'ANILINA
EN1021-1/2

REMIX

CATEGORY 7

415 g/lin.m
90% New wool worsted, 10% Nylon
Classe 1, EN 1021-1/2
100.000 % cicli Maltindale

UMAMI

CATEGORY 7

470 g/lin.m
90% New wool worsted, 10% Nylon
Classe 1, EN 1021-1/2
60.000 % cicli Maltindale

STEELCUT TRIO

CATEGORY 7

770 g/lin.m
90% New wool worsted, 10% Nylon
Classe 1, EN 1021-1/2
100.000 % cicli Maltindale

TEMPO

CATEGORY 6

470 g/lin.m
100% Trevira CS
Classe 1, EN 1021-1/2
70.000 % cicli Maltindale

PIED POULE

CATEGORY 6

550 g/lin.m
66% cotone, 34% Poliestere
35.000 % cicli Maltindale

VELLUTO

CATEGORY 8

600 g/lin.m
100.000 % PL Flame retardant

VELLUTO DECONTRACTE'

CATEGORY 7

590 g/lin.m
19% CO, 61% PC, 10% PL, 10%VI
40.000 % cicli Maltindale

GILDA

USAGE AND CARE

In order to maintain Quinti products in perfect conditions through time and obtain a long lasting quality of the raw materials we hereby recommend to follow some very basic care instructions.

FABRICS

- Cleaning: see the dedicated selection written on the color Swatch card.
- Usage: we recommend a particular care as fabrics can be easily cut or ripped.

LEATHER

- Cleaning: Clean with a soft cloth with water. We remind that leather is extremely delicate. We recommend to use high quality products and to follow the instructions of the manufacturer. In case of doubts, we recommend to test the product on a hidden part and to wait at least 24 hours should any problem arise.
- Usage: It is very important to look carefully at the wash suggested and to pay particular attention while using.

PLASTIC MATERIALS

- Cleaning: plastic surfaces usually need to be cleaned with a cloth and water. We recommend not to use dry cloths that might generate an electrostatic charge that will capture dust. For the most persistent stains a small amount of liquid soap diluted in water may be used.

WOOD

- Cleaning: plywood surfaces need to be cleaned with a cloth and water. We recommend to dry immediately after the cleaning process. All liquids or other residue must be removed in order to avoid the absorption of the same.
- Usage: being plywood a natural material you might notice an alteration of the color shade during time and use. We also remind that plywood cannot bear with warm surfaces or high temperatures if placed directly on the wooden top.

METALS

- Cleaning: plastic surfaces usually need to be cleaned with a cloth and water. For the most persistent stains a small amount of liquid soap diluted in water may be used. We always recommend to try immediately after the cleaning process by using a soft cloth or a leather one. Never use cleaning products for steel, chlorine, bleach or other strong detergents. Avoid abrasive creams, score pads and abrasive sponges that can scratch the metal surfaces.
- Usage: mind the stains of food such as coffee, juices, coke, if not removed immediately they might leave indelible marks on the surface.

WARRANTY

QUINTI products are covered by a 5 years warranty, unless normal use and provided that they are used following the instructions. Quinti will substitute without any cost each product not corresponding to the warranty, without any other responsibility. The warranty does not include components, external accessories or materials provided by the purchaser and applied to the products in order to personalize them.