

ALPHABET - BTA

Roberto Romanello / 2000

segis

Armchair / Sofa

Frame: Cold-injected polyurethane foam with inner steel profile and polyurethane inserts for back support. Covering material coupled with polyester padding.

Shaped seat made of non-deformable polyurethane foam and wrapped with polyester wadding.

Fire retardant foam meets California Bulletin 117A, EN1021-1/2:2014 and Italian Class 1 IM Standards.

Special foam meeting the 5852 British Standard is available on request.

Die-cast aluminium legs (h. cm 30) available in chromed or powder coated finish.

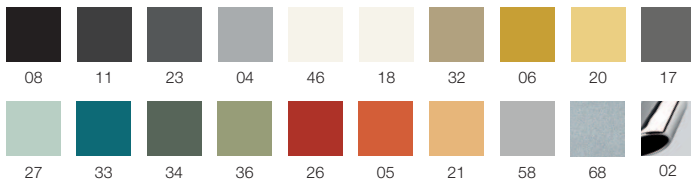
Covers: fabric, leather, faux leather or C.O.M. (preferably in solid colours).



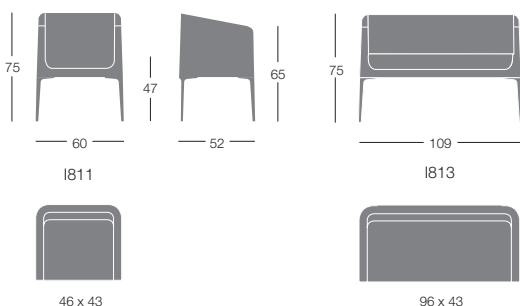
	Article	Upholstery	pcs/dimensions volume Gross Weight Product Net Weight
Armchair	1811	Gazebo Xtreme Plus / Magnum / Rivet / Spinning / Sprint Blazer / Bowen / Gingko / Maple / Step Melange Divina3 / Divina Melange2 / Steelcut2 / Steelcut Trio3 Leather C.O.L. C.O. faux leather / C.O.M. (solid colour)	1 pc / 61x57x48 cm 0,17 m ³ 17 Kg 14,5 Kg
Sofa	1813	Gazebo Xtreme Plus / Magnum / Rivet / Spinning / Sprint Blazer / Bowen / Gingko / Maple / Step Melange Divina3 / Divina Melange2 / Steelcut2 / Steelcut Trio3 Leather C.O.L. C.O. faux leather / C.O.M. (solid colour)	1 pc / 111x59x47 cm 0,31 m ³ 27 Kg 23 Kg

Finishes

Metal legs



Dimensions



Customer's own material

For customer's own material/leather, the form at the end of the price list shall apply, to be sent to Segis Spa with the Client's signature.

Art. 1811 Solid fabric: for 1 pc 210 cm (H.140 cm)
C.O.L. qty: for 1 pc 3,78 m²

Art. 1813 Solid fabric: for 1 pc 347 cm (H.140 cm)
C.O.L. qty: for 1 pc 6,24 m²

Fire retardant certifications

The product upholstered with Xtreme fabric and Gazebo faux-leather meets Class 1IM Standards by the Italian Minister of Interior.

Resistance tests

Art. 1811
ANSI-BIFMA X5.4 - 2005/5 - backrest strength horizontal, static
ANSI-BIFMA X5.4 - 2005/7 - backrest durability - horizontal, cyclic
ANSI-BIFMA X5.4 - 2005/9 - arm strength - horizontal, static
ANSI-BIFMA X5.4 - 2005/10 - arm strength - vertical, static
ANSI-BIFMA X5.4 - 2005/11 - arm durability - horizontal, cyclic
ANSI-BIFMA X5.4 - 2005/12 - arm durability - vertical, cyclic
ANSI-BIFMA X5.4 - 2005/13 - seating durability - cyclic
ANSI-BIFMA 5.4 - 2005/14 - drop test - dynamic
ANSI-BIFMA X5.4 - 2005/15 - structural durability - cyclic

ALPHABET - DTA

Roberto Romanello / 2000



Armchair / Sofa / Ottoman

Frame: Cold-injected polyurethane foam with inner steel profile and polyurethane inserts for back support. Covering material coupled with polyester padding.

Shaped seat made of non-deformable polyurethane foam and wrapped with polyester wadding.

Fire retardant inner padding meets "California Bulletin 117A" and "Italian Class 1 IM" Standards.

Special foam meeting the 5852 British Standard is available on request.

Die-cast aluminium legs (h. cm 18) available in chromed or powder coated finish

Ottoman: wood base and non-deformable polyurethane padding, covered with polyester wadding.

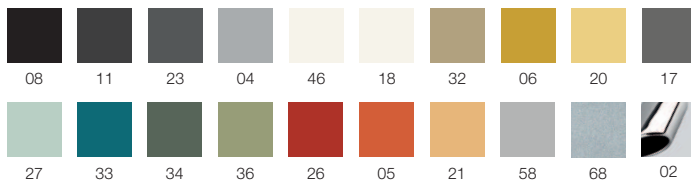
Covers: fabric, leather, faux leather or C.O.M. (preferably in solid colours).



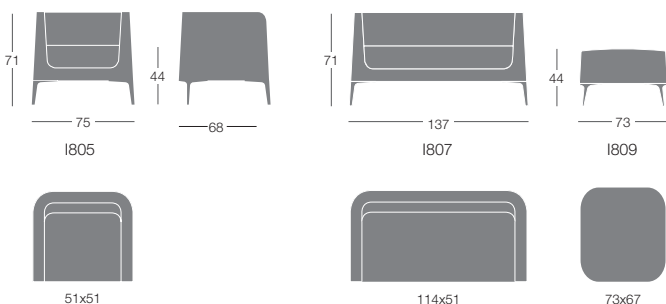
	Article	Upholstery	pcs/dimensions volume Gross Weight Product Net Weight
Armchair	1805	Gazebo Xtreme Plus / Magnum / Rivet / Spinning / Sprint Blazer / Bowen / Gingko / Maple / Step Melange Divina3 / Divina Melange2 / Steelcut2 / Steelcut Trio3 Leather C.O.L. C.O. faux leather / C.O.M. (solid colour)	1 pc / 75x70x57 cm 0,30 m ³ 26,5 Kg 22,8 Kg
Sofa	1807	Gazebo Xtreme Plus / Magnum / Rivet / Spinning / Sprint Blazer / Bowen / Gingko / Maple / Step Melange Divina3 / Divina Melange2 / Steelcut2 / Steelcut Trio3 Leather C.O.L. C.O. faux leather / C.O.M. (solid colour)	1 pc / 137x69x57 cm 0,54 m ³ 45,6 Kg 40,5 Kg
Ottoman	1809	Gazebo Xtreme Plus / Magnum / Rivet / Spinning / Sprint Blazer / Bowen / Gingko / Maple / Step Melange Divina3 / Divina Melange2 / Steelcut2 / Steelcut Trio3 Leather C.O.L. C.O. faux leather / C.O.M. (solid colour)	1 pc / 93x68x33 cm 0,21 m ³ 16,5 Kg 15 Kg

Finishes

Metal legs



Dimensions



Customer's own material

For customer's own material/leather, the form at the end of the price list shall apply, to be sent to Segis Spa with the Client's signature.

Art. 1805

Solid fabric: for 1 pc 305 cm (H.140 cm)
C.O.L. qty: for 1 pc 5,48 m²

Art. 1807

Solid fabric: for 1 pc 483 cm (H.140 cm)
C.O.L. qty: for 1 pc 8,69 m²

Art. 1809

Solid fabric: for 1 pc 147 cm (H.140 cm)
C.O.L. qty: for 1 pc 2,65 m²

Fire retardant certifications

The product upholstered with Xtreme fabric and Gazebo faux-leather meets Class 1IM Standards by the Italian Minister of Interior.

Resistance tests

Art. 1805

ANSI-BIFMA X5.4 - 2005/5 - backrest strength horizontal, static
ANSI-BIFMA X5.4 - 2005/7 - backrest durability - horizontal, cyclic
ANSI-BIFMA X5.4 - 2005/9 - arm strength - horizontal, static
ANSI-BIFMA X5.4 - 2005/10 - arm strength - vertical, static
ANSI-BIFMA X5.4 - 2005/11 - arm durability - horizontal, cyclic
ANSI-BIFMA X5.4 - 2005/12 - arm durability - vertical, cyclic
ANSI-BIFMA X5.4 - 2005/13 - seating durability - cyclic
ANSI-BIFMA 5.4 - 2005/14 - drop test - dynamic
ANSI-BIFMA X5.4 - 2005/15 - structural durability - cyclic

ALPHABET - FI LARGE

Roberto Romanello / 2004

**Armchair / Sofa**

Frame and back of solid wood and plywood with non-deformable polyurethane foam, lining of polyester padding.

Fire retardant foam meets California Bulletin 117A, EN1021-1/2:2014 and Italian Class 1 IM Standards.

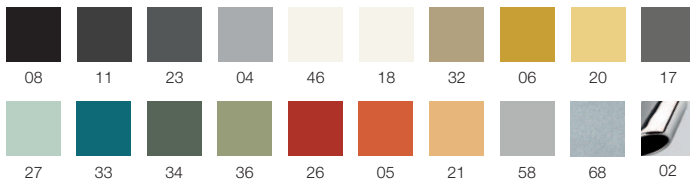
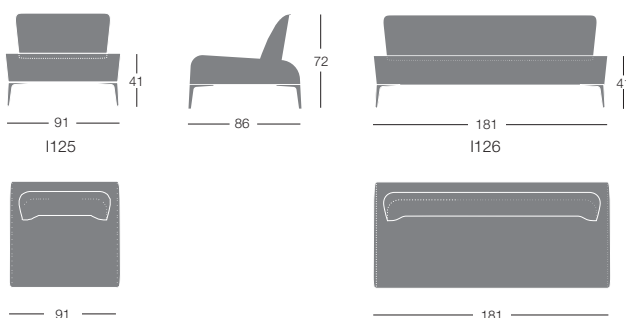
Special foam meeting the 5852 British Standard is available on request.

Die-cast aluminium legs (h. cm 18) available in chromed or powder coated finish.

Covers: in available in fabric, leather, faux leather or C.O.M (preferably in solid colours).



	Article	Upholstery	pcs/dimensions volume Gross Weight Product Net Weight
Armchair	I125	Gazebo Xtreme Plus / Magnum / Rivet / Spinning / Sprint Blazer / Bowen / Gingko / Maple / Step Melange Divina3 / Divina Melange2 / Steelcut2 / Steelcut Trio3 Leather C.O.L. C.O. faux leather / C.O.M. (solid colour)	1 pc / 93x88x59 cm 0,49 m ³ 30 Kg 25 Kg
Sofa	I126	Gazebo Xtreme Plus / Magnum / Rivet / Spinning / Sprint Blazer / Bowen / Gingko / Maple / Step Melange Divina3 / Divina Melange2 / Steelcut2 / Steelcut Trio3 Leather C.O.L. C.O. faux leather / C.O.M. (solid colour)	1 pc / 183x87x59 cm 0,94 m ³ 57 Kg 50 Kg

Finishes**Metal legs****Dimensions****Customer's own material**

For customer's own material/leather, the form at the end of the price list shall apply, to be sent to Segis Spa with the Client's signature.

Art. I125 Solid fabric: for 1 pc 242 cm (H.140 cm)
C.O.L. qty: for 1 pc 4,35 m²

Art. I126 Solid fabric: for 1 pc 441 cm (H.140 cm)
C.O.L. qty: for 1 pc 7,94 m²

ALPHABET - GAMMA

Roberto Romanello / 2000

**Armchair / Sofa**

Frame: cold injected polyurethane foam with inner steel profile frame. Covering material coupled with polyester padding.

Shaped seat: made of non-deformable polyurethane foam and wrapped with polyester wadding.

Fire retardant foam meets California Bulletin 117A, EN1021-1/2:2014 and Italian Class 1 IM Standards.

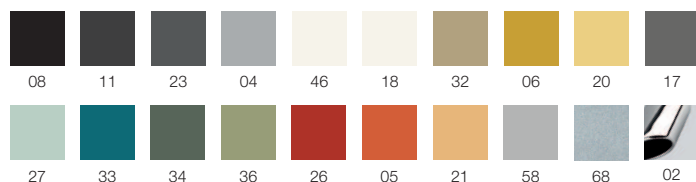
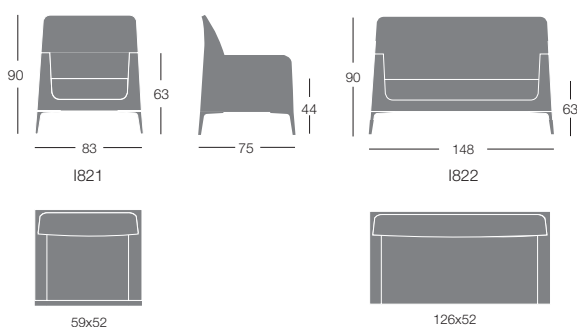
Special foam meeting the 5852 British Standard is available on request.

Die-cast aluminium legs (h. cm 18) available in chromed or powder coated finish.

Covers: in available in fabric, leather, faux leather or C.O.M (preferably in solid colours).



	Article	Upholstery	pcs/dimensions volume Gross Weight Product Net Weight
Armchair	1821	Gazebo Xtreme Plus / Magnum / Rivet / Spinning / Sprint Blazer / Bowen / Gingko / Maple / Step Melange Divina3 / Divina Melange2 / Steelcut2 / Steelcut Trio3 Leather C.O.L. C.O. faux leather / C.O.M. (solid colour)	1 pc / 83x76x74 cm 0,47 m ³ 32,5 Kg 28,5 Kg
Sofa	1822	Gazebo Xtreme Plus / Magnum / Rivet / Spinning / Sprint Blazer / Bowen / Gingko / Maple / Step Melange Divina3 / Divina Melange2 / Steelcut2 / Steelcut Trio3 Leather C.O.L. C.O. faux leather / C.O.M. (solid colour)	1 pc / 149x82x74 cm 0,90 m ³ 55 Kg 49 Kg

Finishes**Metal legs****Dimensions****Customer's own material**

For customer's own material/leather, the form at the end of the price list shall apply, to be sent to Segis Spa with the Client's signature.

Art. 1821 Solid fabric: for 1 pc 357 cm (H.140 cm)
C.O.L. qty: for 1 pc 6,43 m²

Art. 1822 Solid fabric: for 1 pc 683 cm (H.140 cm)
C.O.L. qty: for 1 pc 12,29 m²

Fire retardant certifications

The product upholstered with Xtreme fabric and Gazebo faux-leather meets Class 1IM Standards by the Italian Minister of Interior.

High-back armchair

Frame: cold-injected polyurethane foam with inner steel profile and elastic webbing for back support. Covering material coupled with polyester padding.

Shaped seat made of non-deformable polyurethane foam, and wrapped with polyester wadding.

Fire retardant foam meets California Bulletin 117A, EN1021-1/2:2014 and Italian Class 1 IM Standards.

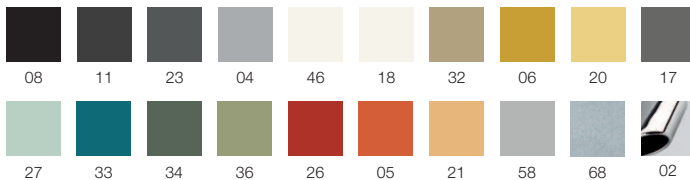
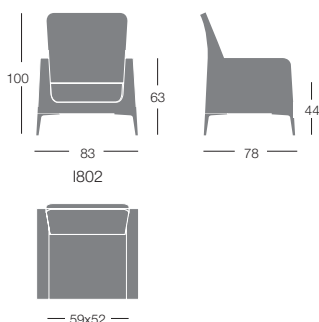
Special foam meeting the 5852 British Standards is available on request.

Die-cast aluminium legs (h. cm 18) available in chromed or powder coated finish.

Covers: fabric, leather, faux leather or C.O.M. (preferably in solid colours).



	Article	Upholstery	pcs/dimensions volume Gross Weight Product Net Weight
Armchair with high back	1802	Gazebo Xtreme Plus / Magnum / Rivet / Spinning / Sprint Blazer / Bowen / Gingko / Maple / Step Melange Divina3 / Divina Melange2 / Steelcut2 / Steelcut Trio3 Leather C.O.L. C.O. faux leather / C.O.M. (solid colour)	1 pc / 88x78x86 cm 0,59 m ³ 34 Kg 30 Kg

Finishes**Metal legs****Dimensions****Customer's own material**

For customer's own material/leather, the form at the end of the price list shall apply, to be sent to Segis Spa with the Client's signature.

Art. 1802 Solid fabric: for 1 pc 452 cm (H.140 cm)
C.O.L. qty: for 1 pc 8,13 m²

Fire retardant certifications

The product upholstered with Xtreme fabric and Gazebo faux-leather meets Class 1IM Standards by the Italian Minister of Interior.

Resistance tests

ANSI-BIFMA X5.4 -2005/5 - backrest strength - horizontal
ANSI-BIFMA X5.4 -2005/6 - backrest strength - vertical
ANSI-BIFMA X5.4 -2005/7 - backrest durability - horizontal, cyclic
ANSI-BIFMA X5.4 -2005/8 - rbackrest durability - vertical, cyclic
ANSI-BIFMA X5.4 -2005/9 - arm strength - horizontal, static
ANSI-BIFMA X5.4 -2005/10 - arm strength - vertical, static
ANSI-BIFMA X5.4 -2005/11 - arm durability - horizontal, cyclic
ANSI-BIFMA X5.4 -2005/12 - arm durability - cyclic
ANSI-BIFMA X5.4 -2005/13 - seating durability - cyclic
ANSI-BIFMA 5.4 -2005/14 - drop test - dynamic
ANSI-BIFMA X5.4 -2005/15 - structural durability - cyclic

ALPHABET - KA MAXI

Roberto Romanello / 2000



2 or 3 seats sofa

Frame/back: quality solid-wood and plywood with non deformable polyurethane foam, covered with polyester padding.

Fire retardant foam meets California Bulletin 117A, EN1021-1/2:2014 and Italian Class 1 IM Standards.

Special foam meeting the 5852 British Standard is available on request.

Back cushions of polyurethane with rigid non-deformable insert and wrapped in polyester wadding.

Die-cast aluminium legs (h. cm 18) available in chromed or powder coated finish.

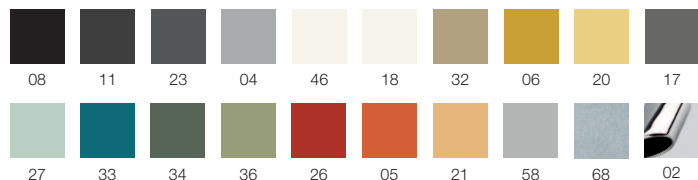
Covers: fabric, leather, faux leather or C.O.M. (preferably in solid colours).



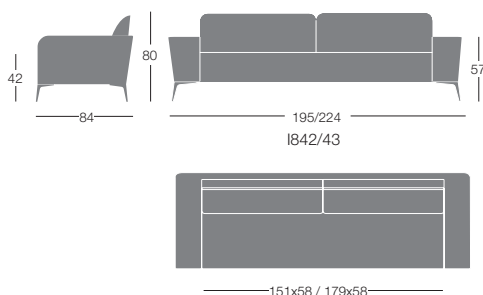
	Article	Upholstery	pcs/dimensions volume Gross Weight Product Net Weight
2 seats sofa	1842	Gazebo Xtreme Plus / Magnum / Rivet / Spinning / Sprint Blazer / Bowen / Gingko / Maple / Step Melange Divina3 / Divina Melange2 / Steelcut2 / Steelcut Trio3 Leather C.O.L. C.O. faux leather / C.O.M. (solid colour)	1 pc / 200x92x45 cm 0,83 m ³ 57 Kg 50 Kg
3 seats sofa	1843	Gazebo Xtreme Plus / Magnum / Rivet / Spinning / Sprint Blazer / Bowen / Gingko / Maple / Step Melange Divina3 / Divina Melange2 / Steelcut2 / Steelcut Trio3 Leather C.O.L. C.O. faux leather / C.O.M. (solid colour)	1 pc / 228x92x45 cm 0,94 m ³ 63 Kg 55,5 Kg

Finishes

Metal legs



Dimensions



Note: leather version with central stitching

Customer's own material

For customer's own material/leather, the form at the end of the price list shall apply, to be sent to Segis Spa with the Client's signature.

Art. 1842 Solid fabric: for 1 pc 662 cm (H.140 cm)
C.O.L. qty: for 1 pc 11,91 m

Art. 1843 Solid fabric: for 1 pc 882 cm (H.140 cm)
C.O.L. qty: for 1 pc 15,88 m

ALPHABET - MI LONGUE

Roberto Romanello / 2000

segis

Chaise longue with magnet operated continuously adjustable headrest and cushion.

Inner frame of quality solid-wood and plywood with non deformable polyurethane foam, wrapped in polyester padding.

Fire retardant foam meets California Bulletin 117A, EN1021-1/2:2014 and Italian Class 1 IM Standards.

Special foam meeting the 5852 British Standards is available on request.

Die-cast aluminium legs (h. cm 18) available in chromed or powder coated finish.

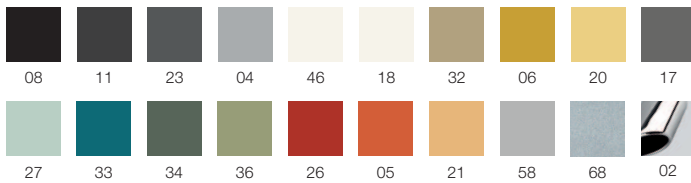
Covers: fabric, leather, faux leather or C.O.M (preferably in solid colours).



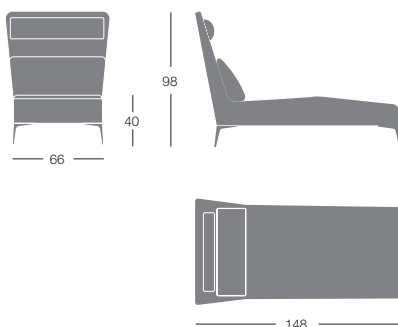
	Article	Upholstery	pcs/dimensions volume Gross Weight Product Net Weight
Chaise-Longue	1840	Gazebo Xtreme Plus / Magnum / Rivet / Spinning / Sprint Blazer / Bowen / Gingko / Maple / Step Melange Divina3 / Divina Melange2 / Steelcut2 / Steelcut Trio3 Leather C.O.L. C.O. faux leather / C.O.M. (solid colour)	1 pc / 153x79x86 cm 1,04 m ³ 36 Kg 28,5 Kg

Finishes

Metal legs



Dimensions



Customer's own material

For customer's own material/leather, the form at the end of the price list shall apply, to be sent to Segis Spa with the Client's signature.

Art. 1840 Solid fabric: for 1 pc 347 cm (H.140 cm)
C.O.L. qty: for 1 pc 6,24 m²

ALPHABET - OMG

Roberto Romanello / 2000



Armchair / Sofa

Frame: cold-injected polyurethane foam with inner steel profile and 1 polyurethane inserts for back support. Covering material coupled with polyester padding.

Shaped seat made of non-deformable polyurethane foam and wrapped with polyester wadding.

Fire retardant foam meets California Bulletin 117A, EN1021-1/2:2014 and Italian Class 1 IM Standards.

Special foam meeting the 5852 British Standard is available on request.

Die-cast aluminium legs (h. cm 18) available in chromed or powder coated finish.

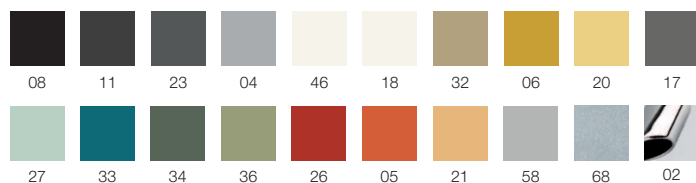
Covers: fabric, leather, faux leather or C.O.M. (preferably in solid colours)



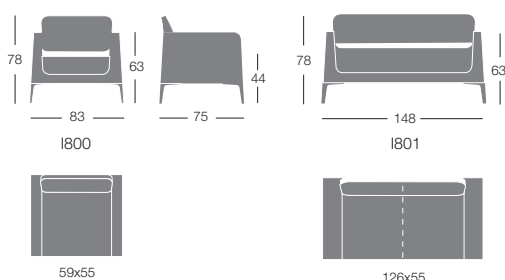
	Article	Upholstery	pcs/dimensions volume Gross Weight Product Net Weight
Armchair	1800	Gazebo Xtreme Plus / Magnum / Rivet / Spinning / Sprint Blazer / Bowen / Gingko / Maple / Step Melange Divina3 / Divina Melange2 / Steelcut2 / Steelcut Trio3 Leather C.O.L. C.O. faux leather / C.O.M. (solid colour)	1 pc / 75x83x64 cm 0,40 m3 30,5 Kg 26 Kg
Sofa	1801	Gazebo Xtreme Plus / Magnum / Rivet / Spinning / Sprint Blazer / Bowen / Gingko / Maple / Step Melange Divina3 / Divina Melange2 / Steelcut2 / Steelcut Trio3 Leather C.O.L. C.O. faux leather / C.O.M. (solid colour)	1 pc / 148x75x64 cm 0,71 m3 49 Kg 44 Kg

Finishes

Metal legs



Dimensions



Note: leather version with central stitching

Customer's own material

For customer's own material/leather, the form at the end of the price list shall apply, to be sent to Segis Spa with the Client's signature.

Art. 1800 Solid fabric: for 1 pc 378 cm (H.140 cm)
C.O.L. qty: for 1 pc 6,80 m2

Art. 1801 Solid fabric: for 1 pc 557 cm (H.140 cm)
C.O.L. qty: for 1 pc 10,02 m2

Fire retardant certifications

The product upholstered with Xtreme fabric and Gazebo faux-leather meets Class 1IM Standards by the Italian Minister of Interior.

Resistance tests

ANSI-BIFMA X5.4 -2005/5 - back strength - horizontal
ANSI-BIFMA X5.4 -2005/6 - back strength - vertical
ANSI-BIFMA X5.4 -2005/7 - back durability - horizontal, cyclic
ANSI-BIFMA X5.4 -2005/8 - back durability - vertical, cyclic
ANSI-BIFMA X5.4 -2005/9 - arm strength - horizontal
ANSI-BIFMA X5.4 -2005/10 - arm strength - vertical
ANSI-BIFMA X5.4 -2005/11 - arm durability - horizontal, cyclic
ANSI-BIFMA X5.4 -2005/12 - arm durability - vertical, cyclic
ANSI-BIFMA X5.4 -2005/13 - seating impact test - cyclic
ANSI-BIFMA X5.4 -2005/14 - drop test - dynamic
ANSI-BIFMA X5.4 -2005/15 - structural durability - cyclic
ANSI-BIFMA X5.4 - leg strength - front & side application
ANSI-BIFMA X5.4 - unit drop test - dynamic
ANSI-BIFMA X5.4 - stability

ALPHABET - ZETA A VIS

Roberto Romanello / 2006

segis

2 seats sofa

Frame/backs of quality solid-wood and plywood with non-deformable polyurethane foam, lining of polyester padding.

Fire retardant foam meets California Bulletin 117A, EN1021-1/2:2014 and Italian Class 1 IM Standards.

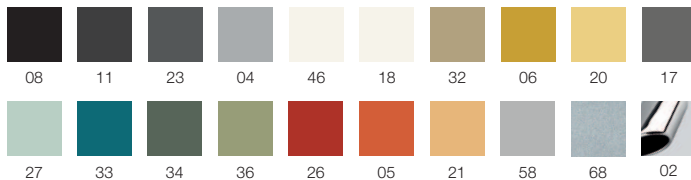
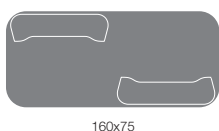
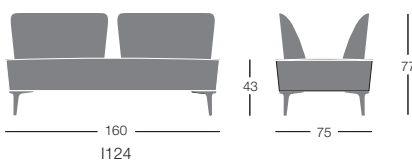
Special foam meeting the 5852 British Standards is available on request.

Die cast aluminium legs (h. cm 18) available in chromed or powder coated finish.

Covers: fabric, leather, faux leather or C.O.M (preferably in solid colours).



	Article	Upholstery	pcs/dimensions volume Gross Weight Product Net Weight
Sofa	I124	Gazebo Xtreme Plus / Magnum / Rivet / Spinning / Sprint Blazer / Bowen / Gingko / Maple / Step Melange Divina3 / Divina Melange2 / Steelcut2 / Steelcut Trio3 Leather C.O.L. C.O. faux leather / C.O.M. (solid colour)	1 pc / 71x166x63 cm 0,79 m ³ 46 Kg 40 Kg

Finishes**Metal legs****Dimensions****Customer's own material**

For customer's own material/leather, the form at the end of the price list shall apply, to be sent to Segis Spa with the Client's signature.

Art. I124 Solid fabric: for 1 pc 420 cm (H.140 cm)
C.O.L. qty: for 1 pc 7,56 m²