

teknion essa



teknion

Designed for Teknion® by PearsonLloyd, the Essa™ task chair takes its name from the word *essence*, selected to capture its pared-down scale and pure, sculptural shape. Essa takes cues from the classic club chair, emphasizing simplicity, elegance and softness. In essence, the chair looks like the comfort that it is.

Given the move towards an office with a softer edge, the need for a light, less technical task chair has emerged. Essa combines elegance with ergonomics, providing just the right amount of support through curves and contours rather than multiple adjustment mechanisms. Promoting natural shifts in position, Essa is ideal for an array of applications in commercial settings and is the perfect complement for the home office.







Essa evolved from a very clear design inspiration for a chair that looks and feels like comfortable residential furniture, yet functions as an ergonomic task chair. Redefining the classic club chair, Essa is modern, yet inviting. The elegant full sweep of the back is echoed by the fluid line of sculpted armrests. A sense of softness is added by the fabric sheathing of the seat and back. The beauty is evident. The comfort is visual and physical. The ergonomics are effortless.

Essa offers the option of a fabric or plastic back to achieve the aesthetic and personality desired. Frame finishes include Atrium White, Clay and Blackstone – applied to look “fully dipped”, achieving a nearly seamless finish that maintains a unified form. Available with fixed arms, height-adjustable arms or without arms, Essa maintains its sculpted form and sense of wholeness.



essa  
personas

Essa's refined lines and contours allow for an enhanced expression of personality. Visual and tactile richness celebrate color and materials to infuse unique personalities into a space. From energetic and trendy to confident and bold, Essa offers an identity to each their own. Draw inspiration from these Essa personas.

finance whiz

Inspired by the practical, organized persona; an intelligent player of the markets, yet a witty multi-tasker who knows how to have fun after balancing the books.



vintage

Inspired by the refined persona with a wealth of experience and knowledge; is on trend and creates new paths while paying homage to their roots.



la dad

Inspired by the stylish parent juggling work-life balance; the permanent chauffeur, team coach and activist who is confident in who they are and makes comfortable look good.



fashion scientist

Inspired by the creative persona on the pulse of what is trending; fosters a slightly rebellious streak that leads those around them to the threshold of their own imagination.



pragmatist

Inspired by the humble, grounded persona who is perpetually logical in achieving their goals; the go-to who is relied upon to get it done and gets it done well.



calm cool & collected

Inspired by the smooth, matter-of-fact persona; a pragmatic leader who is easily approachable.



mix & mingle

Inspired by the energetic persona who is fun and engaging; always wants to be part of what is going on and smiles while doing it.



honey beekeeper

Inspired by the sustainability conscious persona; a proud local shopper who uses their own bags and genuinely cares about community and the environment.

conversationalist

Inspired by the socially engaging persona in tune with current events and pop culture; a charming listener who welcomes differing perspectives to further the discourse.

culture junkie

Inspired by the persona who seeks adventure and knowledge; a culture sponge who fully immerses themselves into local cultures and customs to get the most out of each experience.

influencer

Inspired by the exuberant and expressive persona who knows what they want and how to achieve it; is always vivacious and ready.

extravert

Inspired by the outgoing trend-setter full of presence; knows how to make an entrance and take command of a room to purposefully create buzz and excitement.

futurist

Inspired by the visionary who is always two steps ahead; a macro-thinker who strives for what seems out of reach and never pausing to ask "why not."

artisan

Inspired by the persona who appreciates craft, form and authenticity in everything they see and experience, and in all of what surrounds them.



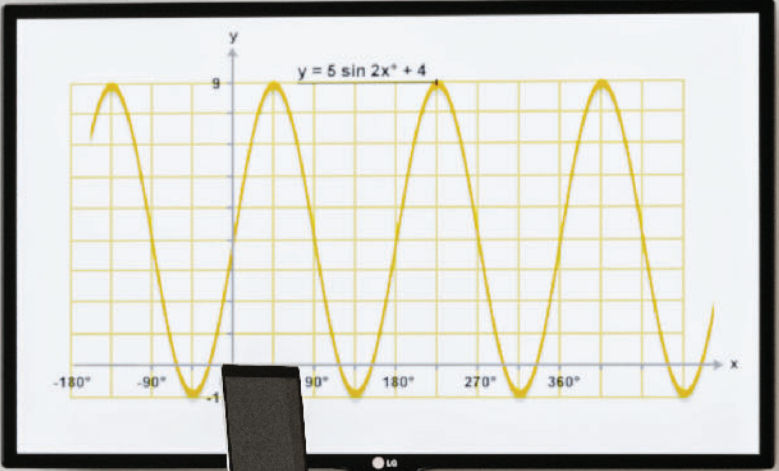








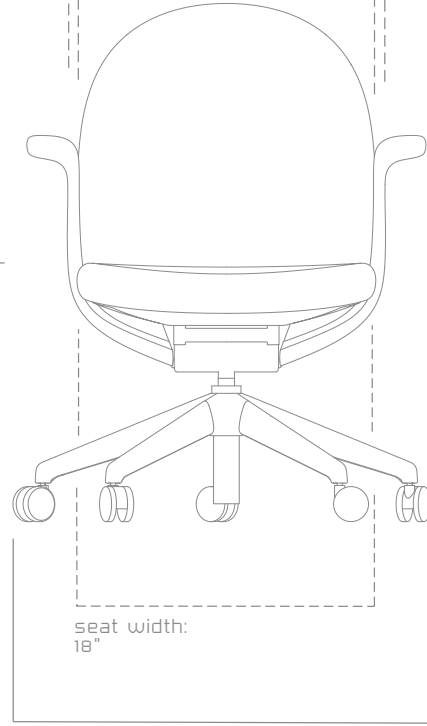




width between arms:  
 fixed arm 19-7/8"  
 height adjustable arm 18-3/4"

arm height from seat:  
 fixed arm: 9-5/8"  
 height adjustable arm:  
 8-3/4"-10-3/4"

back width:  
 20-1/8"



seat width:  
 18"

overall width:  
 29"

www.teknion.com

IN CANADA  
 1150 Flint Road  
 Toronto, Ontario  
 M3J 2J5 Canada  
 Tel 866.teknion  
 866.835.6466

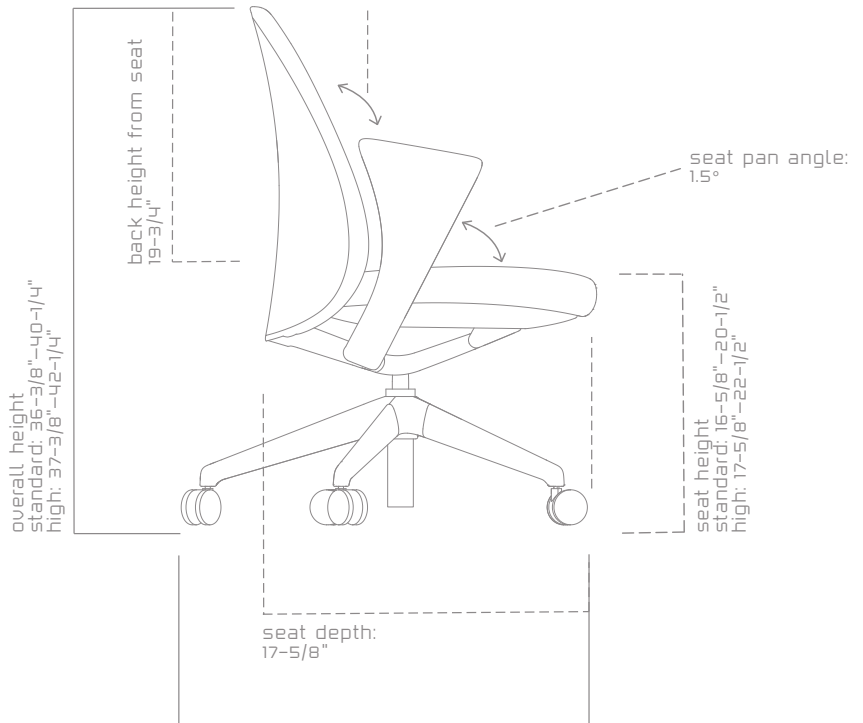
IN THE USA  
 350 Fellowship Road  
 Mt Laurel, New Jersey  
 08054 USA  
 Tel 877.teknion  
 877.835.6466

OTHER OFFICES LOCATED IN  
 Europe, South and Central  
 America, Middle East, Asia and  
 Russia. For regional contact  
 information go to teknion.com

CAN/US/INT 12-20  
 ©Teknion 2020  
 ®, ™ trade marks of Teknion  
 Corporation and/or its  
 subsidiaries or licensed to it.  
 Patents may be pending.

Brochure Design: Vanderbyl Design  
 Printed in Canada. BR-110-0032-EN

angle between  
 seat and back:  
 96°



seat pan angle:  
 1.5°

back height from seat  
 19-3/4"

overall height  
 standard: 36-3/8"-40-1/4"  
 high: 37-3/8"-42-1/4"

seat height  
 standard: 16-5/8"-20-1/2"  
 high: 17-5/8"-22-1/2"

seat depth:  
 17-5/8"

overall depth:  
 29"