

teknion nuova contessa



teknion

Nuova Contessa is a redesigned and enhanced version of Teknion's classic Contessa task chair. Nuova Contessa's refined aesthetic, advanced adjustment mechanisms, increased strength and durability deliver uncompromised comfort and performance for diverse body types. Although Nuova Contessa inherited Contessa's flowing and beautiful frame lines, a redesigned back and seat frame offer a lighter and thinner design, enhancing the chair's sophistication and elegance across the work environment.

Nuova Contessa's signature smart operation concept enables adjustments to be easily made while the user is seated, encouraging accurate positioning and continuous movement. Nuova Contessa's mesh serves both function and aesthetics, suspending the body in comfort and giving the chair a visual lightness. A newly developed mesh combines yarns excellent in durability, texture, stretchability and strength. The chair is offered as an all-mesh model or with mesh back and upholstered seat. An elegant synthesis of European design and seating technology, Nuova Contessa represents a timeless refinement of function, comfort and style.



04





nuova contessa
Nu-Tess Mesh: *Basalt*
Frame: *Tess Silver*

interpret
Finish: *Flintwood,*
Blonde Maple
Accent Color: *Platinum*



smart operation

Nuova Contessa's smart operation – an advanced mechanism that employs levers conveniently located in the armrests – allows the user to make adjustments from the seated position, encouraging more precise adjustment as the user immediately experiences change and tests comfort. The ability to make continuous adjustments while

feeling immediate changes encourages users to alter their working positions. The more we change the more we move. The more we move, the more our bodies are able to combat the effects of long-term sitting postures.

- Smart operation enables seat height adjustments to be made from the intended working posture, using a lever positioned

in the right armrest

- Smart operation enables users to easily set the tilt control at upright, free-float or locked position at any increment using a lever located in the left armrest
- 4D and fixed arm options are available, both incorporating the smart operation control

performance

- Optional height-adjustable lumbar responds uniquely to users' back curve depth and pressure to facilitate continuous movement and proper support
- Tilt tension dial has four settings that allows users to sit and move naturally with correct support in any position
- Button height-adjustable armrests pivot

- 20 degrees inward and 10 degrees outward and feature width and depth adjustment
- Seat adjusts 2 inches forward and back in six positions to support the seat and thighs
- Integrated back, shell and seat frame flexibility provide added comfort
- Tri-durometer foam in the upholstered seat provides upgraded comfort and support for

- varied ergonomic sit-zones
- 24/7 application and warranty
- Generous 300 lb (136 kg) weight capacity

frame/base finishes

optional features

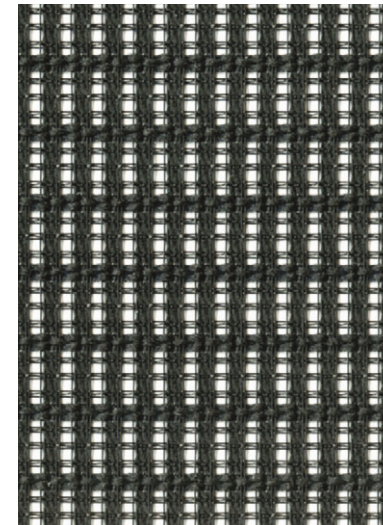
mesh options

Nuova Contessa's Nu-Tess Mesh utilizes a zahedral weave that enables the chair back to retain its tensile strength with the ability to conform to and support the body. Two distinct weaves are used for the mesh seat and back, providing the appropriate

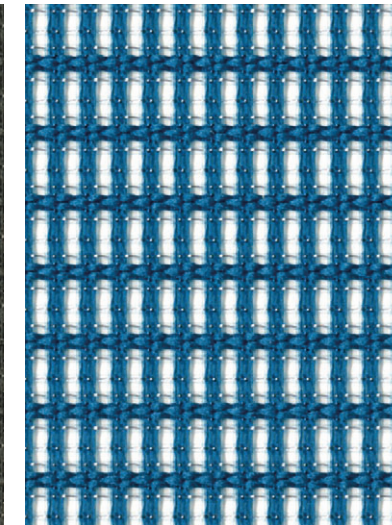
support while permitting free air flow. Offered in five contemporary colors, the mesh has a direct coordinate with Fundamentals—from the Luum collection—for an upholstered seat option. The seat is also available in other fabric and leather options.



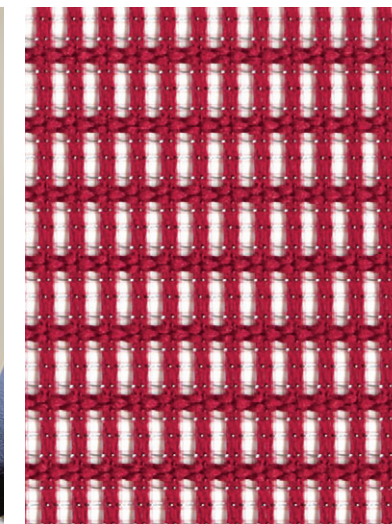
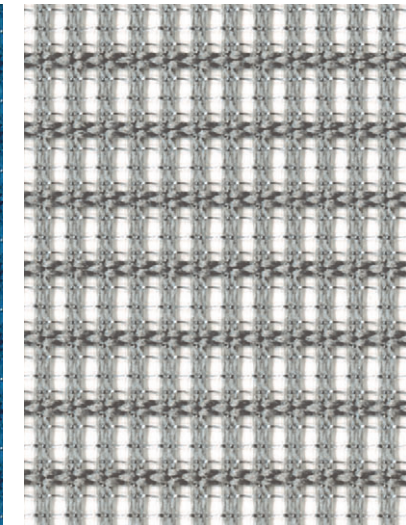
iron



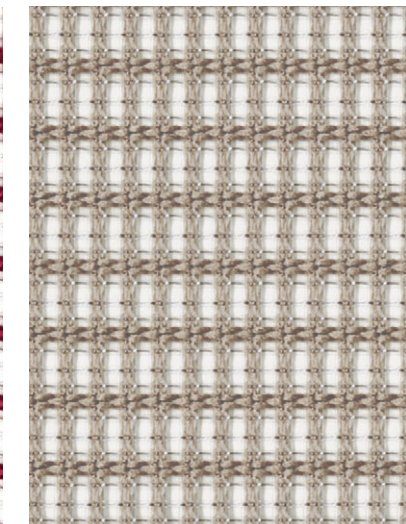
lapis



basalt



banner



brier

01 very white/polished aluminum

02 tess silver/grey

03 ebony/polished aluminum

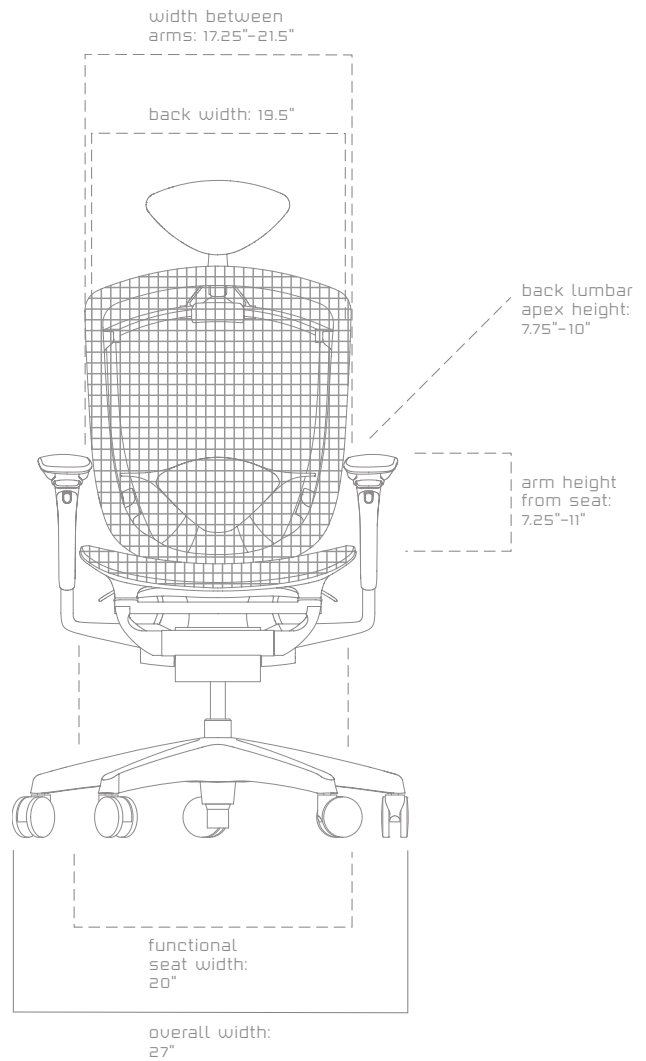
04 ebony/ebony

05 4d arm
Adjusts in height, width, depth and pivot,
ideal for heavy task use

06 fixed arm
Suitable for touchdown and meeting spaces
when less functionality is required

07 coat hanger
08 headrest
Adjusts in height, depth and angle

09 lumbar height
Adjustable lumbar responds uniquely to
user's back curve depth and pressure to
facilitate proper support



www.teknion.com

IN CANADA

1150 Flint Road
 Toronto, Ontario
 M3J 2J5 Canada
 Tel 866.teknion
 866.835.6466

IN THE USA

350 Fellowship Road
 Mt Laurel, New Jersey
 08054 USA
 Tel 877.teknion
 877.835.6466

OTHER OFFICES LOCATED IN
 Europe, South and Central America,
 Middle East, Asia and Russia
 For regional contact information
 go to www.teknion.com

CAN/US/INT 07-18

©Teknion 2017

®, ™ trade marks of Teknion Corporation and/or its subsidiaries or licensed to it. Patents may be pending.

Nuova Contessa is designed by Giugiaro Design and sold under license from Okamura Corporation.

Brochure Design: Vanderbyl Design
 Printed in Canada. BR-110-0008EN

